

## DET-16 Telegraph Transmitter

### Features

- Indoor mounted solid-state telegraph transmitter
- Completely programmable to match existing Telegraph systems, # of transmissions, speed, box, etc.
- AC or DC powered; low power consumption
- 16 zone-EOL with separate code for each zone
- Open or Close index (Municipal or McCullough)
- Watchdog timer for failure notification
- Form C alarm & trouble relays
- Low & missing battery detected
- Internal buzzer for alarm and trouble
- Prioritized by zone and alarm/trouble pre-codes
- Integrated tap key
- Loop shunt with key switch
- Large removable connectors
- 4-line x 20-character backlit display & 4 x 4 keypad
- Panel displays value of loop current
- NFPA-72 Compliant

### SYSTEM DESCRIPTION

The DET-16 is an indoor mounted sixteen-zone solid state telegraph transmitter that employs a unique code for each zone. It includes a CAM lock, display and keypad, AC transformer, standby battery and built-in charger. The unit is housed in a steel enclosure suitable for indoor mounting.

Telegraph codes unique to each of the sixteen zones for Alarm, Trouble, and Secure, Low Battery, & AC Power Failure are transmitted over 100 mA circuit using positive non-interfering successive (PNIS) line current detection to avoid clashes between more than one transmitting box. Automatic ground return, a watchdog timer, and a software selected internal trouble buzzer assure continued main system operation and operator notification in the event of box failure.

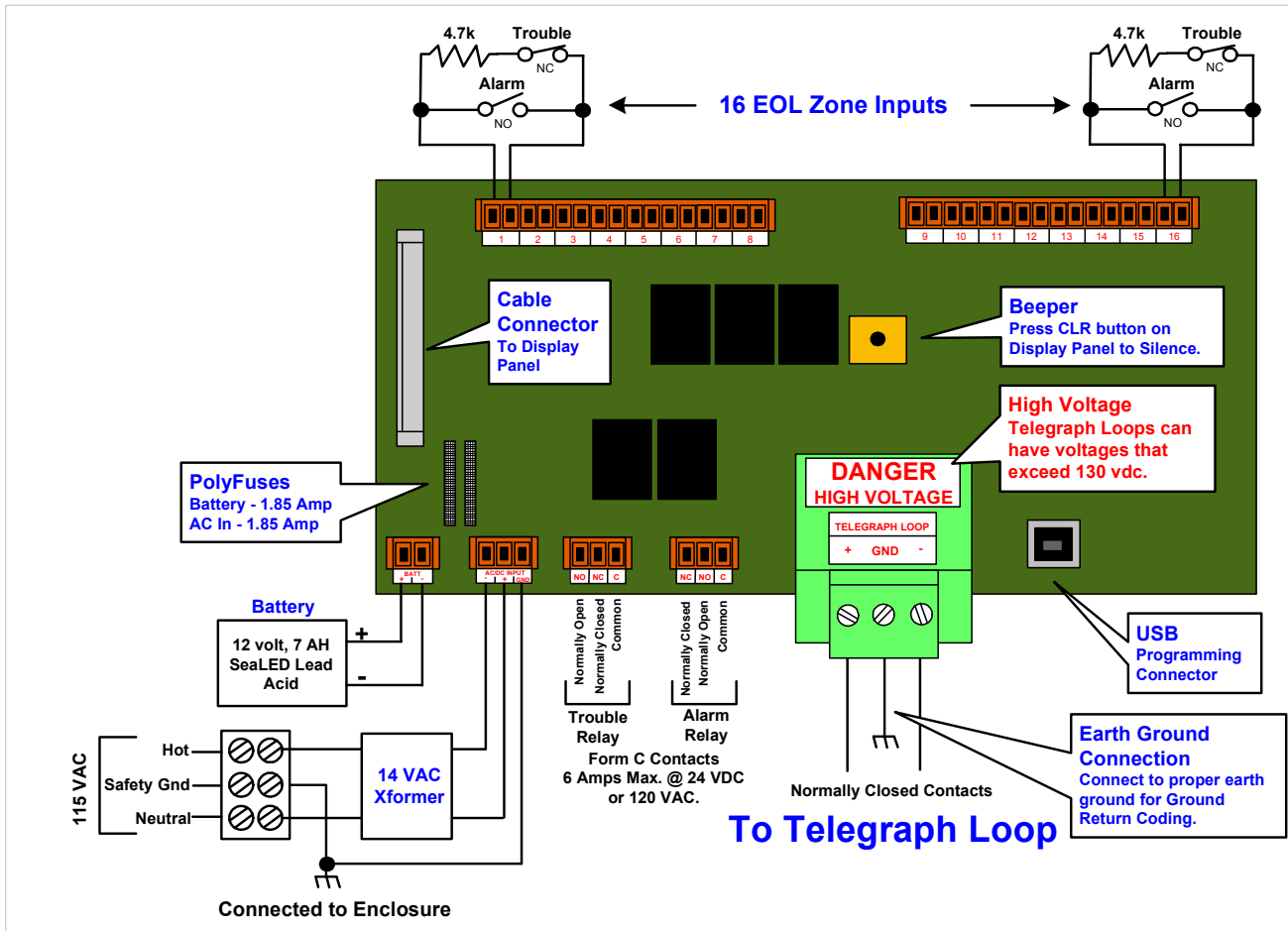
Transmission speed is adjustable to match that of mechanical boxes. Unit can be programmed to send up to 4 rounds (or no rounds) on alarm, trouble, secure, low battery, and ac power failure.

Automatic switchover to battery power is performed upon AC power loss with an optional AC power failure code transmitted. A low battery code transmitted if power is not returned and the battery voltage drops below 10.5 volts. When the battery drops below 9.5 volts, the unit bypasses all input circuits to avoid spurious transmission of false alarms.

The DET-16 is field programmable using integrated keypad and display. Use of Lightning Protection is recommended with the DET-16.



# SPECIFICATIONS



**DIMENSIONS:**

- 15.0 in. high x 4.0 in. deep x 13.5 in. deep

**POWER:**

- 115 VAC, 50/60 Hertz
- 24 VDC or 12 VDC (with J16 installed)
- 12 volt Sealed Lead Acid 7 Amp Battery to provide more than 70 hrs standby operation.
- Approx. 100 MA Standby, 180 MA Active

**INPUT RESISTANCE:**

Up to 6,200 Ohms Total Input Resistance

**INPUT CHANNEL ACTIVATION:**

- 16 Channels EOL Resistor (4.7 K)
- Low Battery / Missing Battery Detection
- AC Power Failure Detection

**OPERATING CONTROL:**

- 4-Line by 20-Character LED Backlit Display
- 4x4 Key-pad
- Integrated Tap Button
- Loop Shunt Key Switch

**VISIBLE LED INDICATORS:**

- Main Power = Green LED
- Alarm = Red LED
- Trouble = Yellow LED
- Loop Fault = Red LED
- Watchdog = Red LED

**OUTPUT:**

- 1 - 18 Telegraph Codes, program each Zone plus Low Battery and AC Fail
- 2 Form C Relays – Alarm & Trouble